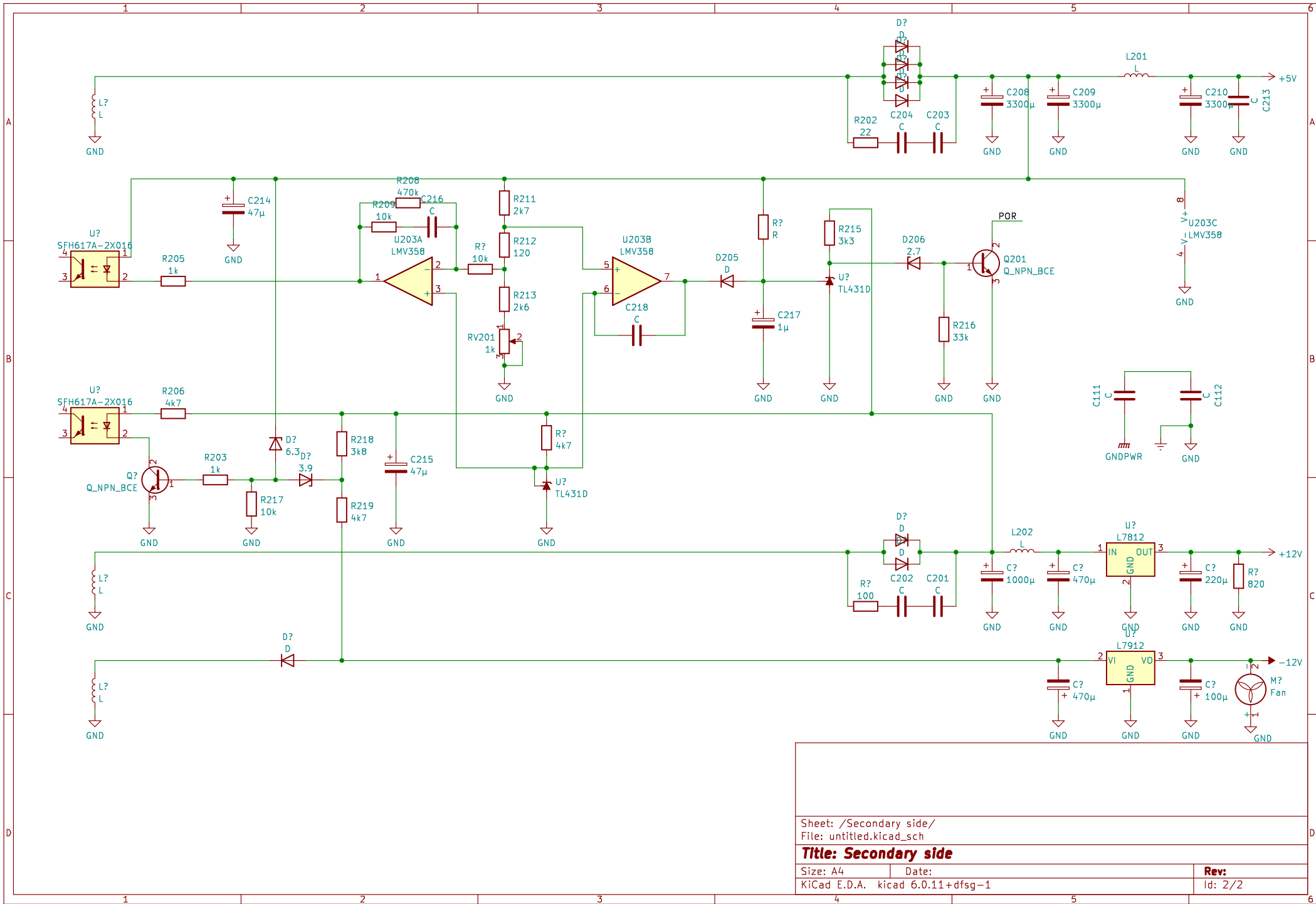


Secondary side

File: untitled.kicad\_sch

Sheet: /	
File: ipx power supply.kicad_sch	
<b>Title: Primary side</b>	
Size: A4	Date:
KiCad E.D.A. kicad 6.0.11+dfsg-1	Rev: 1/2



Sheet: /Secondary side/  
 File: untitled.kicad\_sch  
**Title: Secondary side**  
 Size: A4 Date: \_\_\_\_\_  
 KiCad E.D.A. kicad 6.0.11+dfsg-1 Rev: \_\_\_\_\_  
 Id: 2/2